

1-120SL Cylinder Quarter-Turn Pr32x20 L22 SNAP-LINE

Tool-less installation, Key operable, Optional grounding clip, Optional pre-assembly

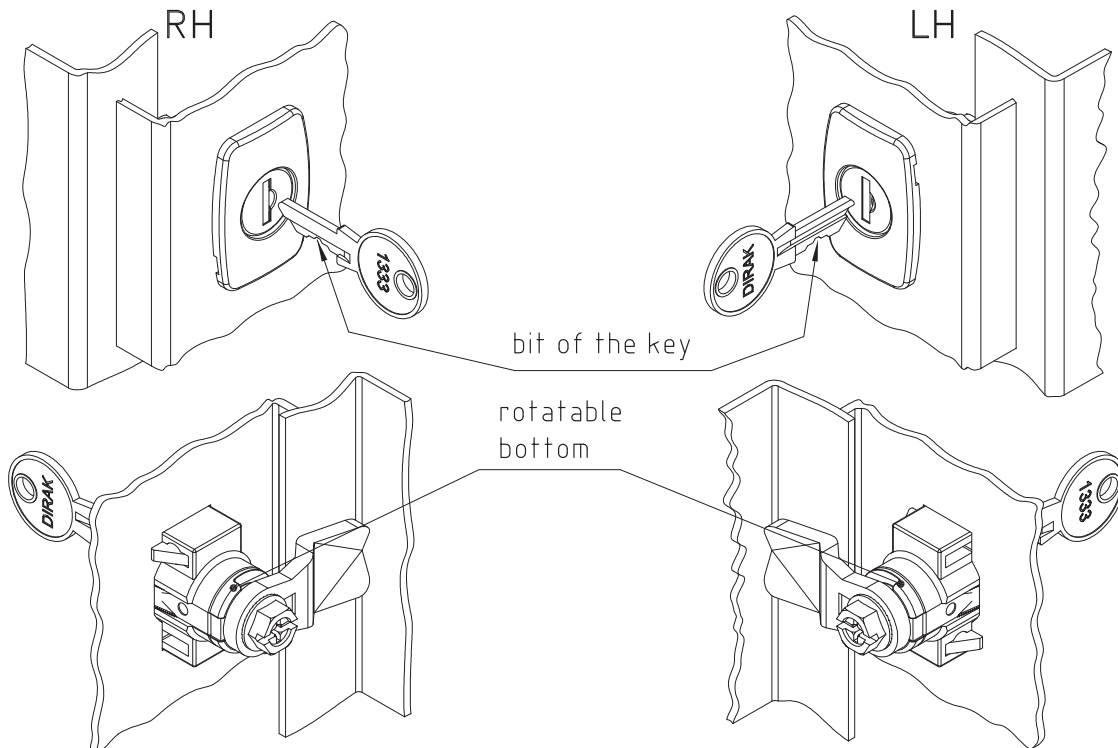
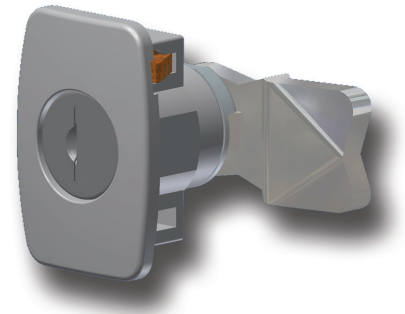


Product Notes:

- A pre-assembled quarter-turn can be fitted through the cutout
- Installed by a simple push into the cutout
- Low profile
- Vibration resistant
- Blind installation
- Cutout 32x20.1mm
- RH and LH application - achieved by rotating the cam stop
- Components can be pre-assembled by DIRAK upon request
- Grounding see "d"
- Screw-on - see Product System 1-120
- Stainless steel - see Product System 7-084
- **H-dimension of the cam**
L=35 must be greater than 12mm
(0.472)

Material:

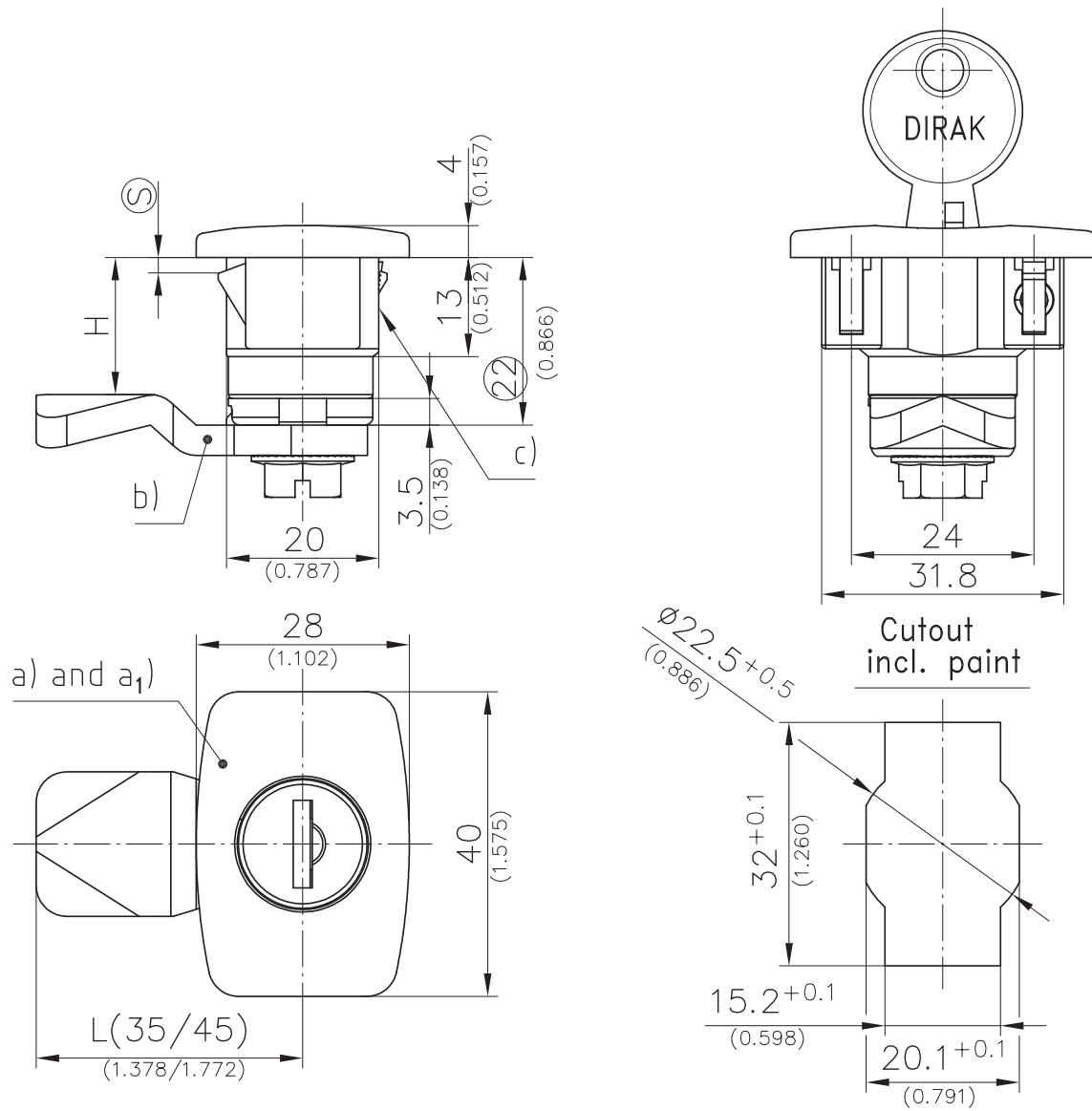
- **Housing and cylinder:** Zinc Die, Chrome Plated
- **Wings:** Sintered Steel
- **Loose bottom:** Zinc Die, Zinc Plated
- **Serrated screw and cam:** Steel, Zinc Plated
- **O-Ring:** NBR, Black, serves as security for the Wings



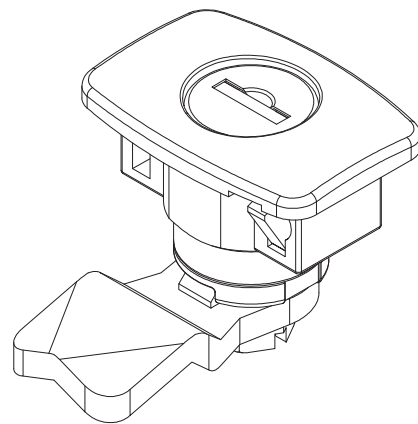
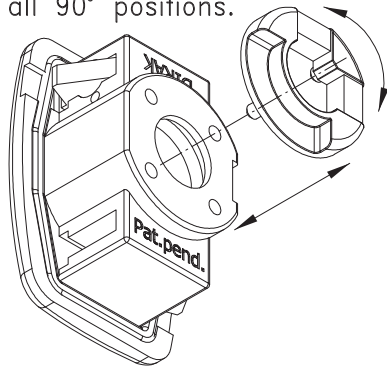
	Clamping Range [Ⓢ]	Zinc Die, Chrome Plated	Zinc Die, Black	See Page
a) Cylinder Quarter-Turn keyed alike DIRAK 1333*	1.0 - 1.7	406-9007.00-00013	406-9009.00-00013	
	1.5 - 2.2	406-9007.00-00018	406-9009.00-00018	
	2.3 - 3.0	406-9007.00-00026	406-9009.00-00026	
a1) Cylinder Quarter-Turn keyed different	1.0 - 1.7	406-9008.00-00013	406-9010.00-00013	
	1.5 - 2.2	406-9008.00-00018	406-9010.00-00018	
	2.3 - 3.0	406-9008.00-00026	406-9010.00-00026	
Other [Ⓢ] - dimension on request				
b) Cams				01.101
c) Grounding clip for handle with key cylinder		200-1103.04-00000		
d) Please contact DIRAK for Part No. of a completely pre-assembled SNAP-LINE Quarter-Turn. * with stainless dust-shutter				

1-120SL Cylinder Quarter-Turn Pr32x20 L22 SNAP-LINE

Tool-less installation, Key operable, Optional grounding clip, Optional pre-assembly



The rotatable bottom with stop can be rotated to all 90° positions.



Attention:
Housing length 22mm, this changes the H-dimension by 4mm.